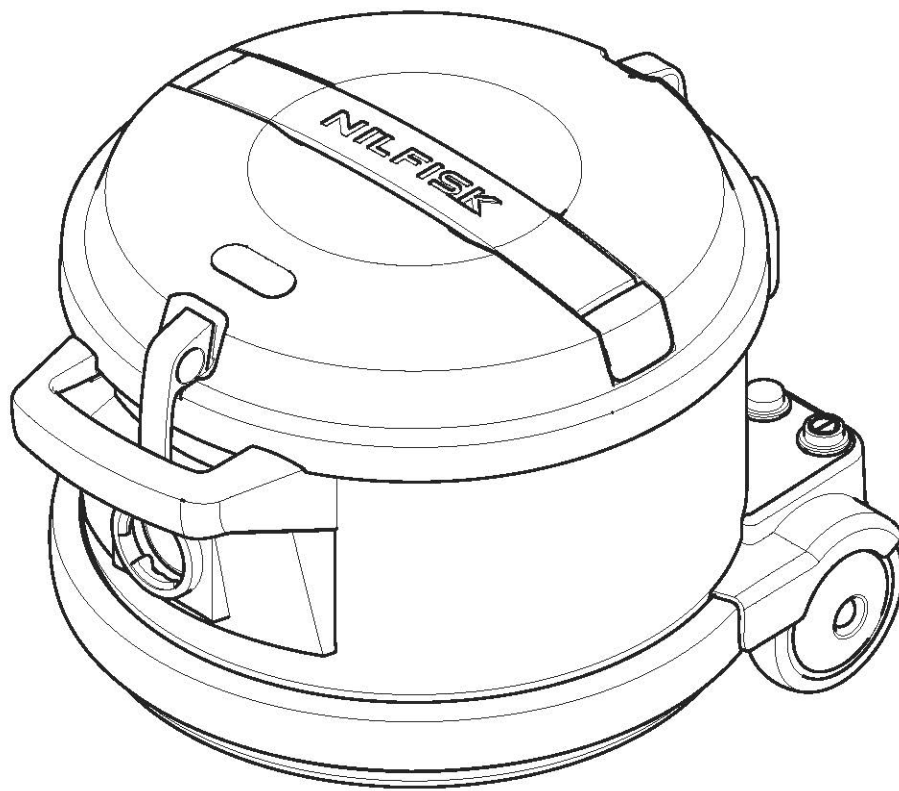


PART LIST

GD 930 & VP 930



NILFISK

GD 930 & VP 930

Nilfisk Model Numbers:

107420772 GD 930 PRO INT EU PLUG
107420774 GD 930 PRO 220V KR
107420779 GD 930 PRO INT UK PLUG
107420773 GD 930 PRO 220-230V CN
107420776 GD 930 PRO S2 100V JP
107420775 GD 930 PRO HF S2 240 AU/NZ
107420663 VP 930 PRO HEPA S2 EU
107420771 VP 930 PRO HEPA S2 UK
107420659 VP 930 PRO HEPA HF EU
107420627 VP 930 ECO PRO HEPA EU

11/2023 Form No. 10742063 REV A

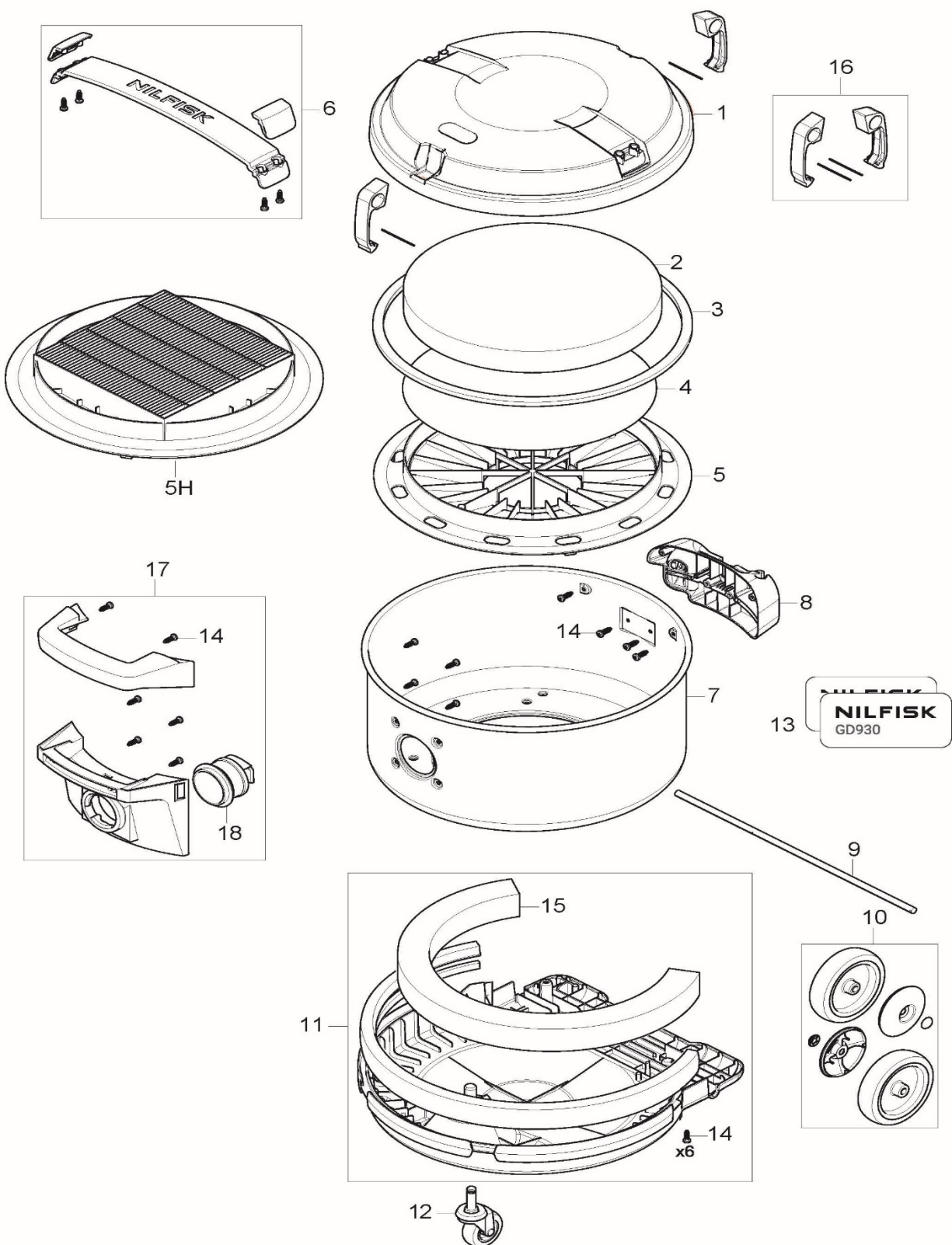
TABLE OF CONTENTS

| | |
|--|----|
| GD 930 PRO – Top and container | 4 |
| GD 930 PRO – Motor and Electric | 6 |
| GD 930 PRO – Accessories | 8 |
| GD 930 PRO S2 – Top and Container | 10 |
| GD 930 PRO S2 – Motor and Electric | 12 |
| GD 930 PRO S2 – Accessories | 14 |
| GD 930 PRO – Wiring diagram | 16 |
| VP 930 PRO – Top and Container | 17 |
| VP 930 PRO – Motor and electric | 19 |
| VP 930 PRO – Accessories | 21 |
| VP 930 PRO – Wiring Diagram | 23 |
| VP 930 PRO – Top and Container | 24 |
| VP 930 PRO – Motor and Electric | 26 |
| VP 930 PRO – Accessories | 28 |
| VP 930 PRO – Wiring diagram | 30 |

GD 930 PRO – Top and container

107420772_ PRO INT EU PLUG , 107420774_ PRO 220V KR , 107420779_ PRO INT UK PLUG , 107420773_ PRO 220-230V CN

2023.11.17



GD 930 PRO – Top and container

107420772_ PRO INT EU PLUG , 107420774_ PRO 220V KR , 107420779_ PRO
INT UK PLUG , 107420773 _ PRO 220-230V CN

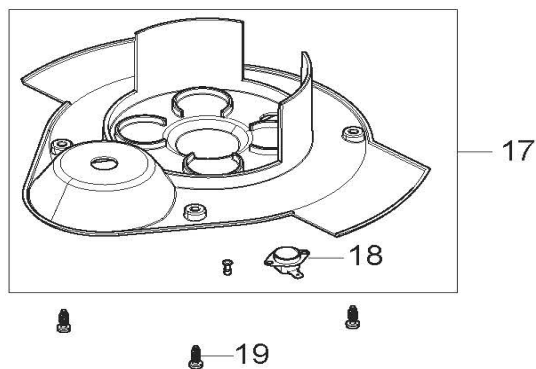
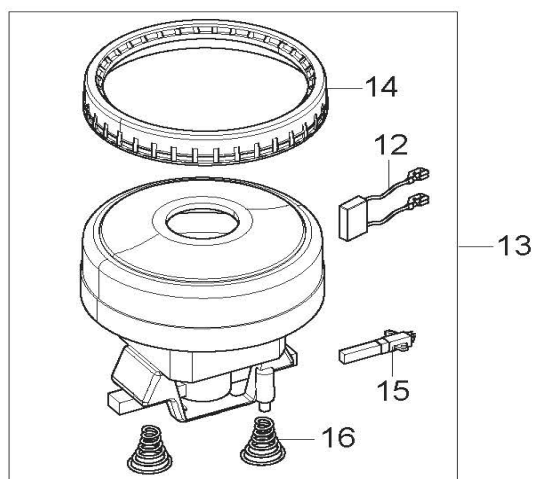
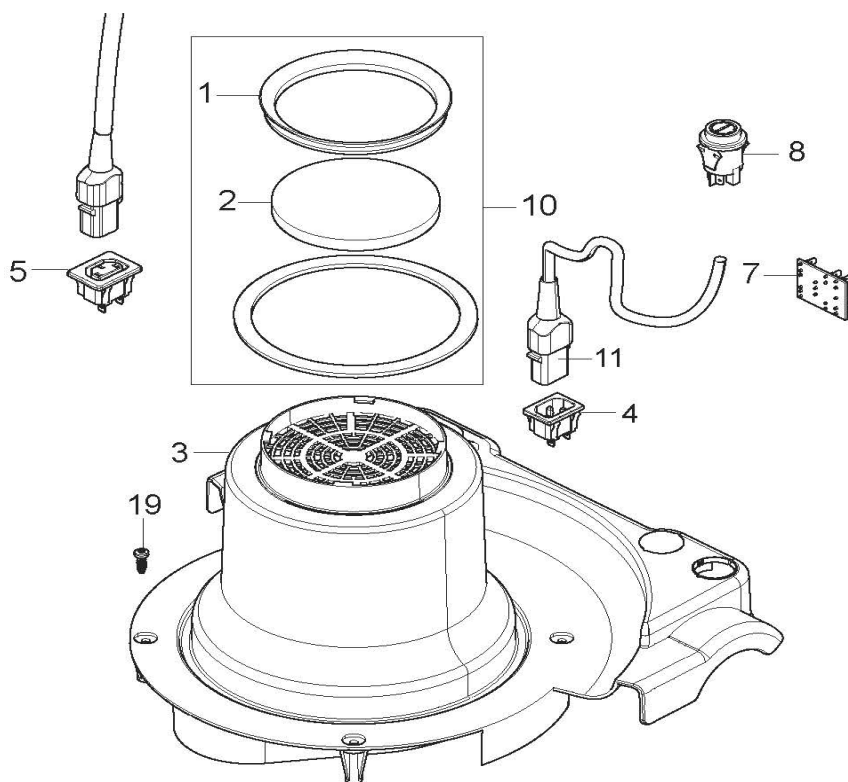
2023.11.17

| No. | Part No. | Qty. | Description | Part Note |
|-----|--------------|------|--------------------------------------|------------|
| 1 | 107420903 | 1 | LID BLACK W/O LID LABEL | Spare part |
| 2 | 140 1515 500 | 1 | FILTER MAIN FOAM GD930 | Spare part |
| 3 | 140 0061 030 | 1 | GASKET | Spare part |
| 4 | 140 3260 500 | 1 | FILTER 5.PCS | Spare part |
| 5 | 140 2911 000 | 1 | FILTER CASING | Spare part |
| 5H | 140 2666 010 | 1 | HEPA FILTER | Spare part |
| 6 | 107420877 | 1 | BELT BLACK KIT | Spare part |
| 7 | 107420889 | 1 | VP930 Pro CONTAINER CHROMED (EU, UK) | Spare part |
| 7 | 107420869 | 1 | PRO CONTAINER PAINT INSIDE (KR, CN) | Spare part |
| 8 | 107420870 | 1 | SUPPORT BLACK | Spare part |
| 9 | 140 5059 000 | 1 | SHAFT L 369MM DIAM. 8MM | Spare part |
| 10 | 140 5055 500 | 1 | WHEEL REAR 2-P 930-SERIES | Spare part |
| 11 | 107420891 | 1 | GD930 PRO BOTTOM PLATE BLACK | Spare part |
| 12 | 140 7025 500 | 1 | WHEEL FRONT 1-P | Spare part |
| 13 | 107420872 | 1 | DECAL NILFISK GD930 PRO | Spare part |
| 13 | 107420873 | 1 | LABEL EUROCLEAN VP930PRO | Spare part |
| 14 | 140 9214 070 | 8 | SCREW PTK 50X14 | Spare part |
| 15 | 140 7022 500 | 1 | MUFFLER STRIP | Spare part |
| 16 | 107420874 | 1 | LATCHES KIT | Spare part |
| 17 | 140 7800 500 | 1 | HANDLE KIT | Spare part |
| 18 | 140 7013 000 | 1 | INLET | Spare part |
| 19 | 140 5058 500 | 1 | LOCK WASHER GD 930 | Spare part |

GD 930 PRO – Motor and Electric

107420772_ PRO INT EU PLUG , 107420774_ PRO 220V KR , 107420779_ PRO INT UK PLUG , 107420773_ PRO 220-230V CN

2023.11.17



GD 930 PRO – Motor and Electric

107420772_PRO INT EU PLUG , 107420774_PRO 220V KR , 107420779_PRO
INT UK PLUG , 107420773_PRO 220-230V CN

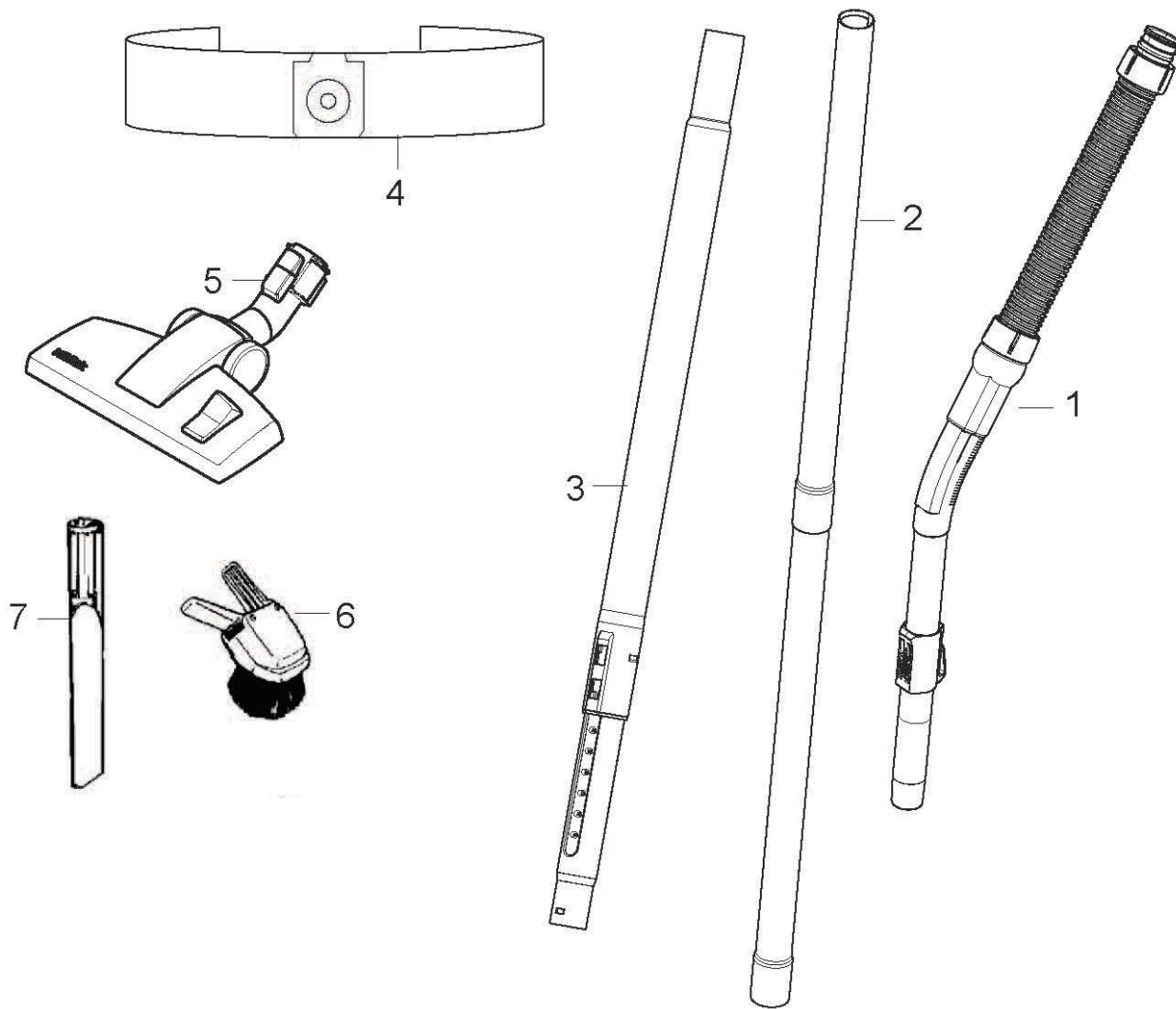
2023.11.17

| No. | Part No. | Qty. | Description | Part Note |
|-----|--------------|------|-------------------------------------|------------|
| 1 | 107418901 | 1 | GASKET FILTER SEAL | Spare Part |
| 2 | 140 1535 510 | 1 | MOTOR FILTER | Spare Part |
| 3 | 107420893 | 1 | GD930 PRO STAND SD | Spare Part |
| 4 | 107420897 | 1 | POWER INLET c14 | Spare Part |
| 7 | 140 7024 500 | 1 | BOARD ANTI STATIC | Spare Part |
| 8 | 107408927 | 1 | SWITCH ON/OFF 930-SERIES | Spare Part |
| 10 | 140 1535 500 | 1 | MOTOR PROTECTION | Spare Part |
| 11 | 107402901 | 1 | DETACH CORD SET 15M ORANGE (EU, KR) | Spare Part |
| 11 | 107402677 | 1 | DETACH CORD SET 10M ORANGE UK | Spare Part |
| 11 | 107413071 | 1 | POWERCORD DETACHABLE CN | Spare Part |
| 12 | 140 8166 010 | 1 | CAPACITOR | Spare Part |
| 13 | 140 7902 500 | 1 | FAN UNIT KIT DOMEL 230V | Spare Part |
| 14 | 140 7901 000 | 1 | SUSPENSION RING | Spare Part |
| 15 | 140 7719 000 | 1 | CARBON BRUSH F. 230/240V FAN | Spare Part |
| 16 | 140 7016 000 | 2 | SPRING | Spare Part |
| 17 | 140 7012 500 | 1 | MOTOR PLATE GD/UZ930/S2 | Spare Part |
| 18 | 140 3894 500 | 1 | THERMO PROTECTION KIT | Spare Part |
| 19 | 140 9214 070 | 8 | SCREW PTK 50X14 | Spare Part |

GD 930 PRO – Accessories

107420772_PRO INT EU PLUG , 107420774_PRO 220V KR , 107420779_PRO
INT UK PLUG , 107420773_PRO 220-230V CN

2023.11.17

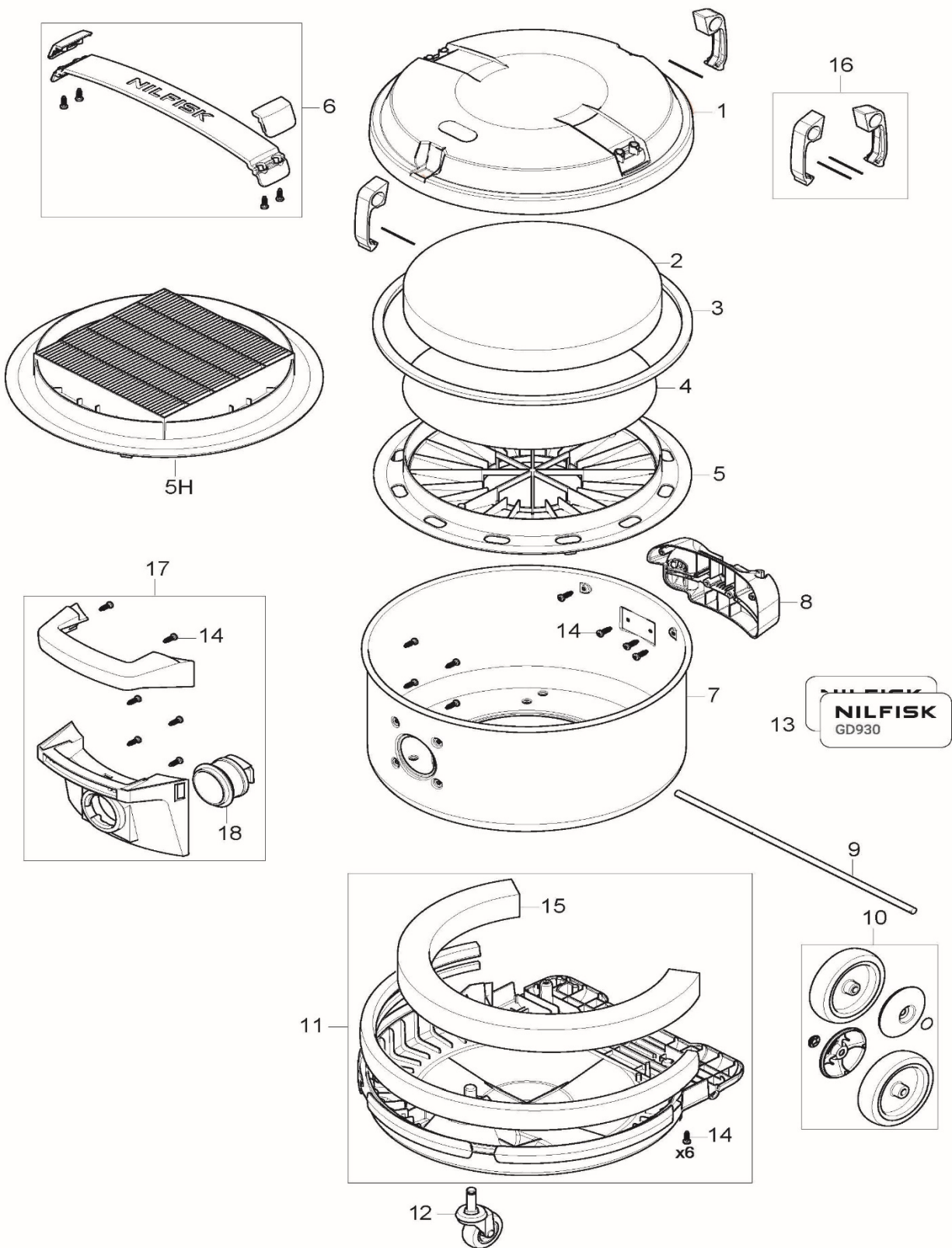


GD 930 PRO – Accessories

107420772_PRO INT EU PLUG , 107420774_PRO 220V KR , 107420779_PRO
INT UK PLUG , 107420773_PRO 220-230V CN

2023.11.17

| No. | Part No. | Qty. | Description | Part Note |
|-----|--------------|------|---------------------------------|-----------|
| 1 | 140 2782 500 | 1 | HOSE CPL. DIAM.32 MM L 1.9M | Accessory |
| 2 | 011 6431 500 | 2 | EXTENSION TUBE ALUMINIUM 500MM | Accessory |
| 3 | 011 8130 500 | 1 | telescopic tube | Accessory |
| 4 | 140 7015 020 | 1 | Dust bag 5pcs KR | Accessory |
| 4 | 140 7015 040 | 1 | Dust bag 10 pcs KR | Accessory |
| 4 | 140 7019 500 | 1 | Cloth Dust bag CN | Accessory |
| 5 | 140 8492 520 | 1 | COMBI.NOZZLE RD295 W. PARK.CLIP | Accessory |
| 6 | 011 3104 500 | 1 | SMALL COMBI NOZZLE | Accessory |
| 7 | 010 3098 500 | 1 | Crevice nozzle | Accessory |
| [] | 107420630 | 5 | Fleece Dust Bags | Accessory |
| [] | 107420784 | 10 | Fleece Dust Bags | Accessory |
| [] | 107420860 | 1 | Maintenance Kits Light | Accessory |
| [] | 107420862 | 1 | Maintenance Kits Plus | Accessory |



GD 930 PRO S2 – Top and Container

107420776_PRO S2 100V JP, 107420775_PRO HF S2 240 AU/NZ

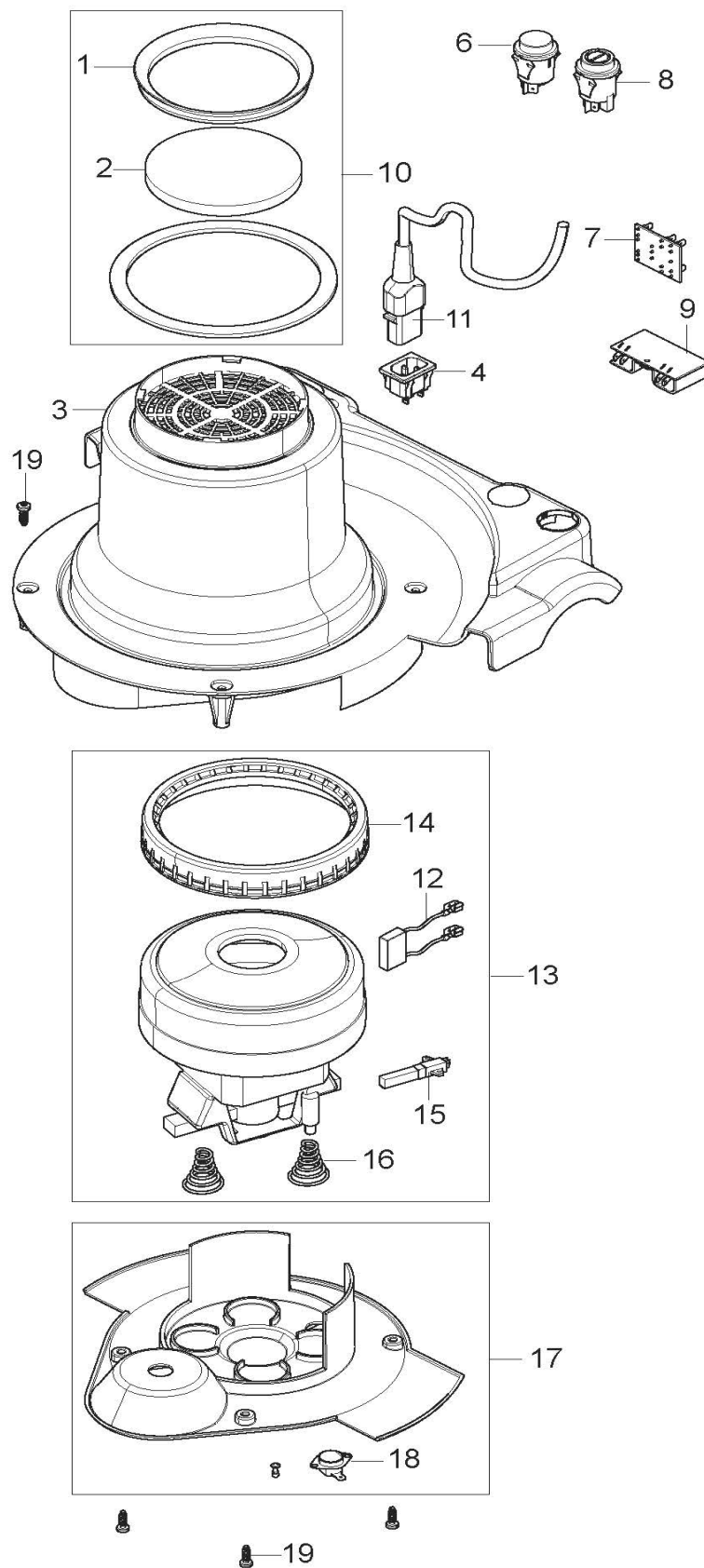
2023.11.17

| No. | Part No. | Qty. | Description | Part Note |
|-----|--------------|------|-------------------------------------|------------|
| 1 | 107420867 | 1 | LID BLACK JP | Spare Part |
| 1 | 107420903 | 1 | LID BLACK W/O LID LABEL (AU/UZ) | Spare Part |
| 2 | 140 1515 500 | 1 | FILTER MAIN FOAM GD930 | Spare Part |
| 3 | 140 0061 030 | 1 | GASKET | Spare Part |
| 4 | 140 3260 500 | 1 | FILTER 5.PCS | Spare Part |
| 5 | 140 2911 000 | 1 | FILTER CASING | Spare Part |
| 5H | 140 2666 010 | 1 | HEPA FILTER | Spare Part |
| 6 | 107420877 | 1 | BELT BLACK KIT | Spare Part |
| 7 | 107420869 | 1 | VP930 Pro Container Paint Inside | Spare Part |
| 8 | 107420870 | 1 | SUPPORT BLACK | Spare Part |
| 9 | 140 5059 000 | 1 | SHAFT L 369MM DIAM. 8MM | Spare Part |
| 10 | 140 5055 500 | 1 | WHEEL REAR 2-P 930-SERIES | Spare Part |
| 11 | 107420892 | 1 | GD930 PRO BOTTOM PLATE GREY (AU/UZ) | Spare Part |
| 12 | 140 7025 500 | 1 | WHEEL FRONT 1-P | Spare Part |
| 13 | 107420872 | 1 | DECAL NILFISK GD930 PRO | Spare Part |
| 14 | 140 9214 070 | 8 | SCREW PTK 50X14 | Spare Part |
| 15 | 140 7022 500 | 1 | MUFFLER STRIP | Spare Part |
| 16 | 107420874 | 1 | LATCHES KIT | Spare Part |
| 17 | 140 7800 500 | 1 | HANDLE KIT | Spare Part |
| 18 | 140 7013 000 | 1 | INLET | Spare Part |
| 19 | 140 5058 500 | 1 | LOCK WASHER GD 930 | Spare Part |

GD 930 PRO S2 – Motor and Electric

107420776_PRO S2 100V JP, 107420775_PRO HF S2 240 AU/NZ

2023.11.17



GD 930 PRO S2 – Motor and Electric

2023.11.17

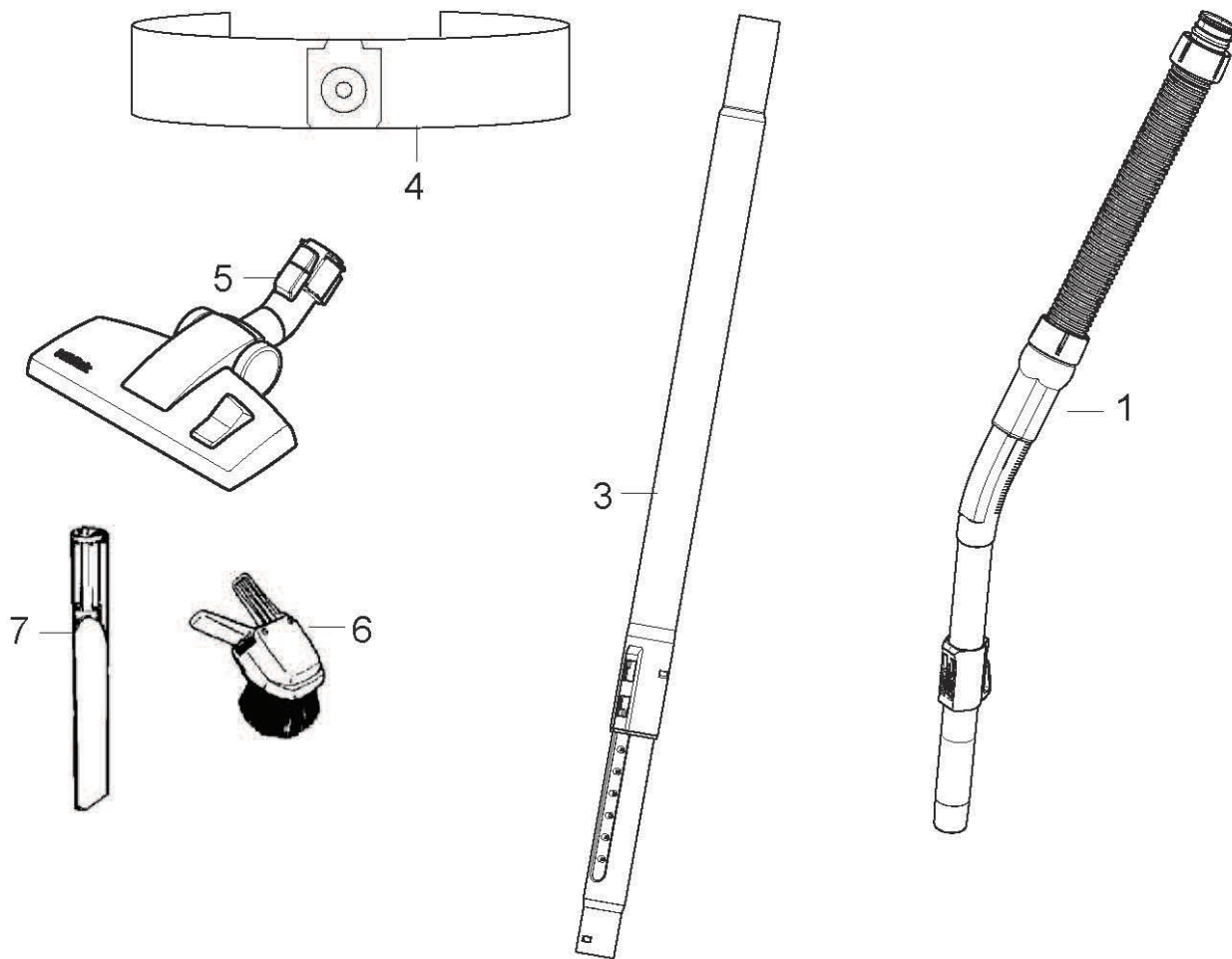
107420776_PRO S2 100V JP, 107420775_PRO HF S2 240 AU/NZ

| No. | Part No. | Qty. | Description | Part Note |
|-----|--------------|------|--------------------------------|------------|
| 1 | 107418901 | 1 | GASKET FILTER SEAL | Spare part |
| 2 | 140 1535 510 | 1 | MOTOR FILTER | Spare part |
| 3 | 107420894 | 1 | GD930 PRO STAND DD (AU/UZ) | Spare part |
| 4 | 107407583 | 1 | APPLIANCE INLET (AU/UZ) | Spare part |
| 4 | 107420897 | 1 | POWER INLET c14 JP | Spare part |
| 6 | 107420898 | 1 | SWITCH S2 VERSION W 2 PILLS | Spare part |
| 7 | 140 7024 500 | 1 | BOARD ANTI STATIC | Spare part |
| 8 | 107408927 | 1 | SWITCH ON/OFF 930-SERIES | Spare part |
| 9 | 140 7026 500 | 1 | 2S CIRCUIT BOARD 220-240V KIT | Spare part |
| 10 | 140 1535 500 | 1 | MOTOR PROTECTION | Spare part |
| 11 | 107420899 | 1 | DETACH AU/UZ - 15-15,5M ORANGE | Spare part |
| 11 | 107420900 | 1 | DETACH JP - 15,5M BLACK | Spare part |
| 12 | 140 8166 010 | 1 | CAPACITOR | Spare part |
| 13 | 140 7902 520 | 1 | FAN UNIT DOMEL 240V (AU/UZ) | Spare part |
| 13 | 140 7902 530 | 1 | FAN UNIT KIT DOMEL 100V JP | Spare part |
| 14 | 140 7901 000 | 1 | SUSPENSION RING | Spare part |
| 15 | 140 7719 000 | 1 | CARBON BRUSH F. 230/240V FAN | Spare part |
| 16 | 140 7016 000 | 2 | SPRING | Spare part |
| 17 | 140 7012 500 | 1 | MOTOR PLATE GD/UZ930/S2 | Spare part |
| 18 | 140 3894 500 | 1 | THERMO PROTECTION KIT | Spare part |
| 19 | 140 9214 070 | 8 | SCREW PTK 50X14 | Spare part |

GD 930 PRO S2 – Accessories

107420776_PRO S2 100V JP, 107420775_PRO HF S2 240 AU/NZ

2023.11.17



GD 930 PRO S2 – Accesories

107420776_PRO S2 100V JP, 107420775_PRO HF S2 240 AU/NZ

2023.11.17

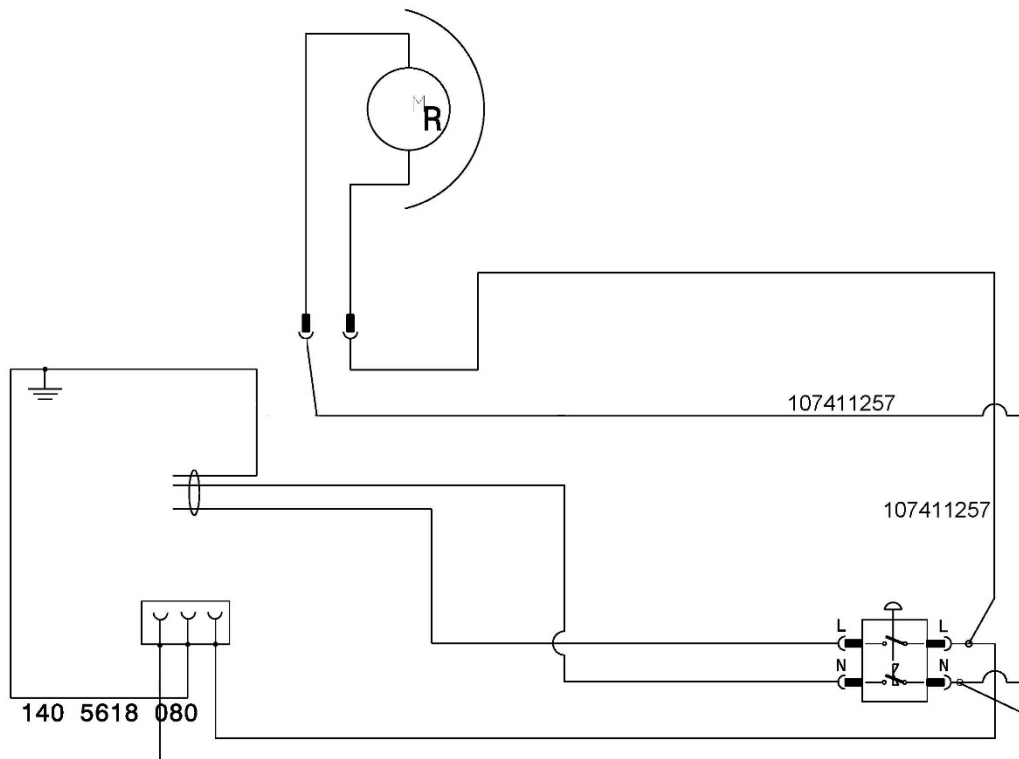
| No. | Part No. | Qty. | Description | Part Note |
|-----|--------------|------|-----------------------------|-----------|
| 1 | 140 2782 500 | 1 | HOSE CPL. DIAM.32 MM L 1.9M | Accessory |
| 3 | 011 8130 500 | 1 | TELESCOPIC TUBE, AL | Accessory |
| 4 | 140 7019 500 | 1 | Cloth Dust bag | Accessory |
| 4 | 140 7015 040 | 1 | Dust bag 10 pcs | Accessory |
| 4 | 140 7015 020 | 1 | Dust bag 5pcs | Accessory |
| 4 | 107420630 | 1 | Fleece dust bag 5 pcs JP | Accessory |
| 5 | 140 8492 520 | 1 | COMBI.NOZZLE RD295 W.PAR | Accessory |
| 6 | 011 3104 500 | 1 | SMALL COMBI NOZZLE | Accessory |
| 7 | 010 3098 500 | 1 | Crevice nozzle | Accessory |
| [] | 107420630 | 5 | Fleece Dust Bags | Accessory |
| [] | 107420784 | 10 | Fleece Dust Bags | Accessory |
| [] | 107420860 | 1 | Maintenance Kits Light | Accessory |
| [] | 107420862 | 1 | Maintenance Kits Plus | Accessory |

[] = Not shown

GD 930 PRO – Wiring diagram

107420772_ PRO INT EU PLUG, 107420774_ PRO 220V KR , 107420779_ PRO INT UK PLUG , 107420773 _PRO 220-230V CN, 107420776_ PRO S2 100V JP, 107420775_ PRO HF S2 240 AU/NZ

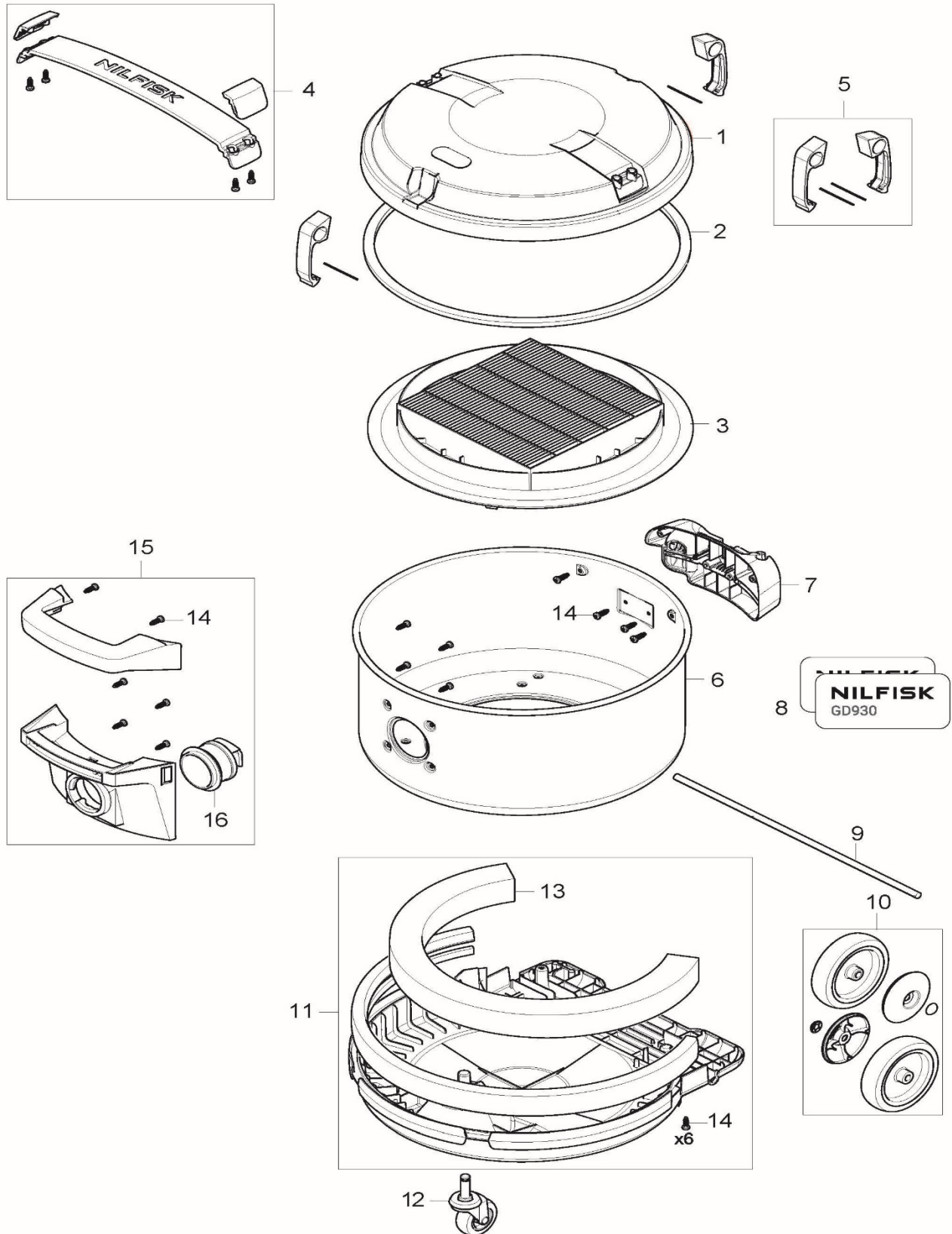
2023.11.17



VP 930 PRO – Top and Container

107420663_PRO HEPA S2 EU, 107420771_PRO HEPA S2 UK, 107420659_PRO HEPA HF EU

2023.11.17



VP 930 PRO – Top and Container

107420663_PRO HEPA S2 EU, 107420771_PRO HEPA S2 UK, 107420659_PRO
HEPA HF EU

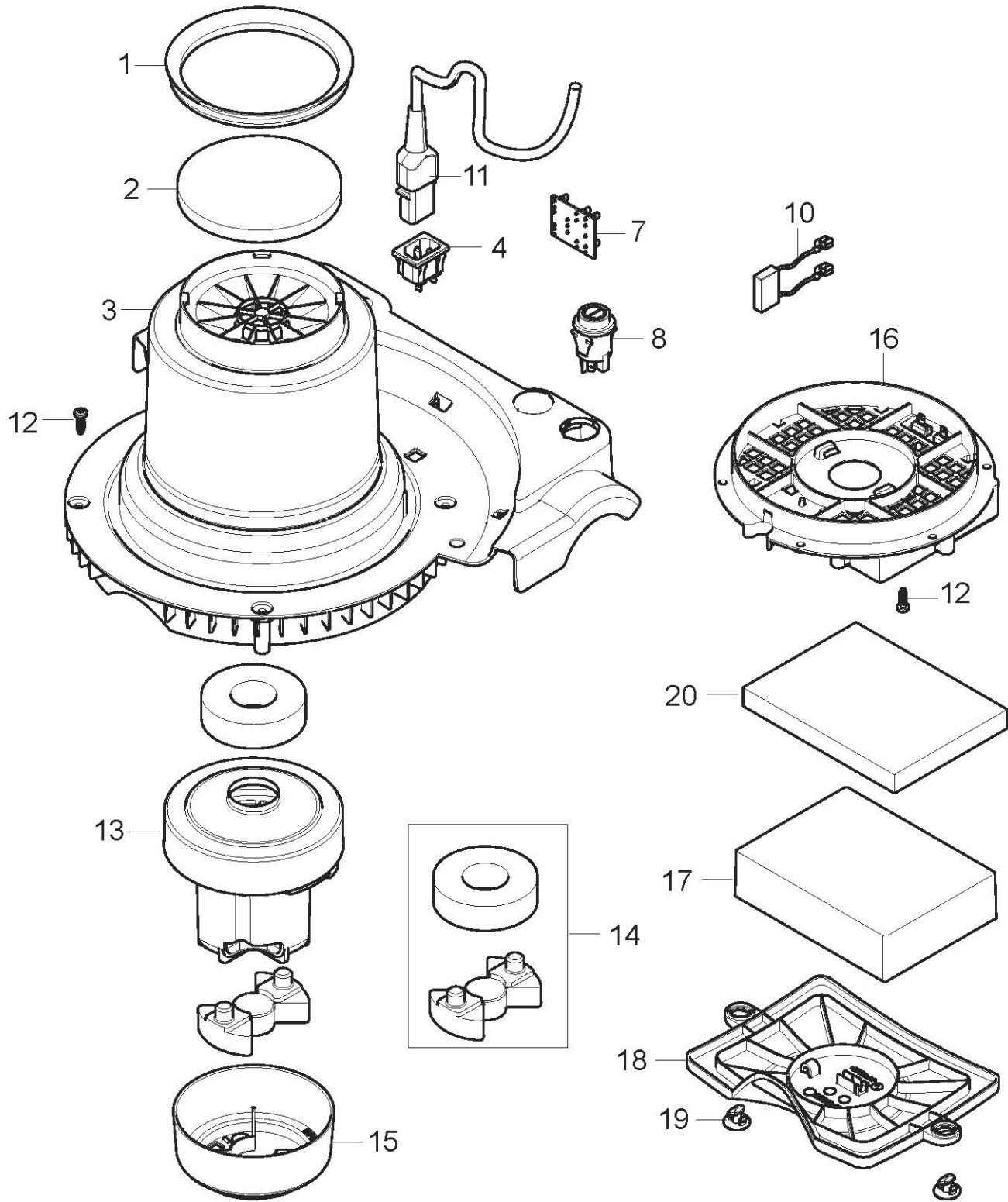
2023.11.17

| No. | Part No. | Qty. | Description | Part Note |
|-----|--------------|------|------------------------------|------------|
| 1 | 107420867 | 1 | LID BLACK | Spare Part |
| 2 | 140 0061 030 | 1 | GASKET | Spare Part |
| 3 | 140 2666 010 | 1 | HEPA FILTER | Spare Part |
| 4 | 107420877 | 1 | BELT BLACK KIT | Spare Part |
| 5 | 107420874 | 1 | LATCHES KIT | Spare Part |
| 6 | 107420889 | 1 | VP930 Pro CONTAINER CHROMED | Spare Part |
| 7 | 107420870 | 1 | SUPPORT BLACK | Spare Part |
| 8 | 107420890 | 1 | DECAL NILFISK VP930 PRO HEPA | Spare Part |
| 9 | 140 5059 000 | 1 | SHAFT L 369MM DIAM. 8MM | Spare Part |
| 10 | 140 5055 500 | 1 | WHEEL REAR 2-P 930-SERIES | Spare Part |
| 11 | 107418905 | 1 | BOTTOM PLATE KIT VP930 BLACK | Spare Part |
| 12 | 140 7025 500 | 1 | WHEEL FRONT 1-P | Spare Part |
| 13 | 140 7022 500 | 1 | MUFFLER STRIP | Spare Part |
| 14 | 140 9214 070 | 10 | SCREW PTK 50X14 | Spare Part |
| 15 | 140 7800 500 | 1 | HANDLE KIT | Spare Part |
| 16 | 140 7013 000 | 1 | INLET | Spare Part |

VP 930 PRO – Motor and electric

107420663_PRO HEPA S2 EU, 107420771_PRO HEPA S2 UK, 107420659_PRO HEPA HF EU

2023.11.17



VP 930 PRO – Motor and electric

107420663_PRO HEPA S2 EU, 107420771_PRO HEPA S2 UK, 107420659_PRO HEPA HF EU

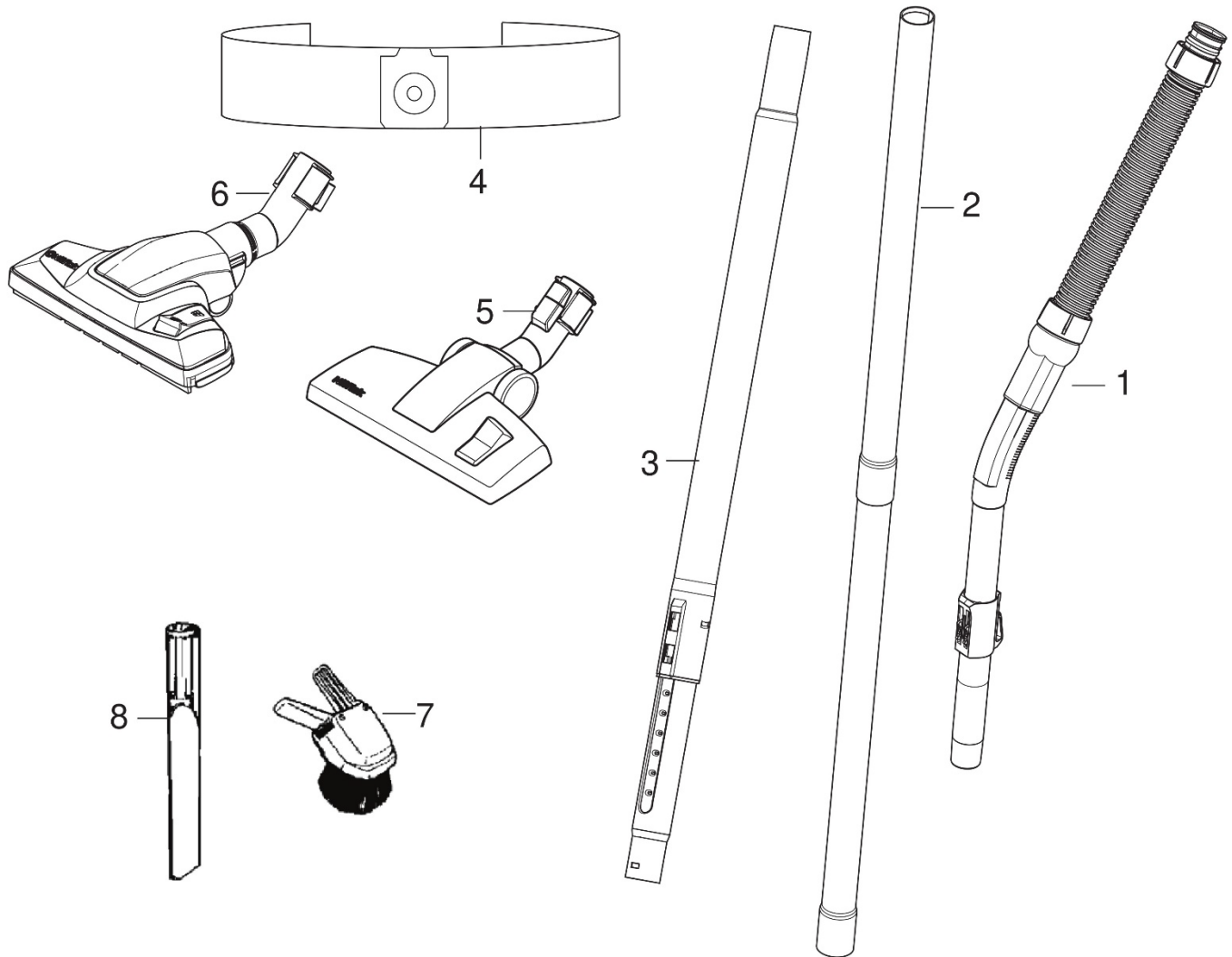
2023.11.17

| No. | Part No. | Qty. | Description | Part Note |
|-----|--------------|------|--------------------------------|------------|
| 1 | 107418901 | 1 | GASKET FILTER SEAL | Spare Part |
| 2 | 140 1535 510 | 1 | MOTOR FILTER | Spare Part |
| 3 | 107420896 | 1 | VP930 PRO STAND DD | Spare Part |
| 4 | 107420897 | 1 | POWER INLET c14 | Spare Part |
| 6 | 107420898 | 1 | SWITCH S2 VERSION W 2 PILLS | Spare Part |
| 7 | 140 7024 500 | 1 | BOARD ANTI STATIC | Spare Part |
| 8 | 107408927 | 1 | SWITCH ON/OFF 930-SERIES | Spare Part |
| 9 | 140 7026 500 | 1 | 2S CIRCUIT BOARD 220-240V KIT | Spare Part |
| 10 | 140 8166 010 | 1 | CAPACITOR | Spare Part |
| 11 | 107402901 | 1 | DETACH CORD SET 15M ORANGE EU | Spare Part |
| 11 | 107402677 | 1 | DETACH CORD SET 10M ORANGE UK | Spare Part |
| 12 | 140 9214 070 | 1 | SCREW PTK 50X14 | Spare Part |
| 13 | 107418650 | 1 | FAN UNIT 220V-240V EU | Spare Part |
| 14 | 107418908 | 1 | MOTOR SUPPORT | Spare Part |
| 15 | 107418909 | 1 | ADAPTER F. TURBINE VP930 | Spare Part |
| 16 | 107418911 | 1 | FILTER HOLDER W. INSERTS VP930 | Spare Part |
| 17 | 107420708 | 1 | FOAM EXHAUST VP930 | Spare Part |
| 18 | 107418913 | 1 | LID F. BOTTOM VP930 BLACK | Spare Part |
| 19 | 107413069 | 2 | Q TURN | Spare Part |

VP 930 PRO – Accessories

107420663_PRO HEPA S2 EU, 107420771_PRO HEPA S2 UK, 107420659_PRO HEPA HF EU

2023.11.17



VP 930 PRO – Accessories

107420663_PRO HEPA S2 EU, 107420771_PRO HEPA S2 UK, 107420659_PRO HEPA HF EU

2023.11.17

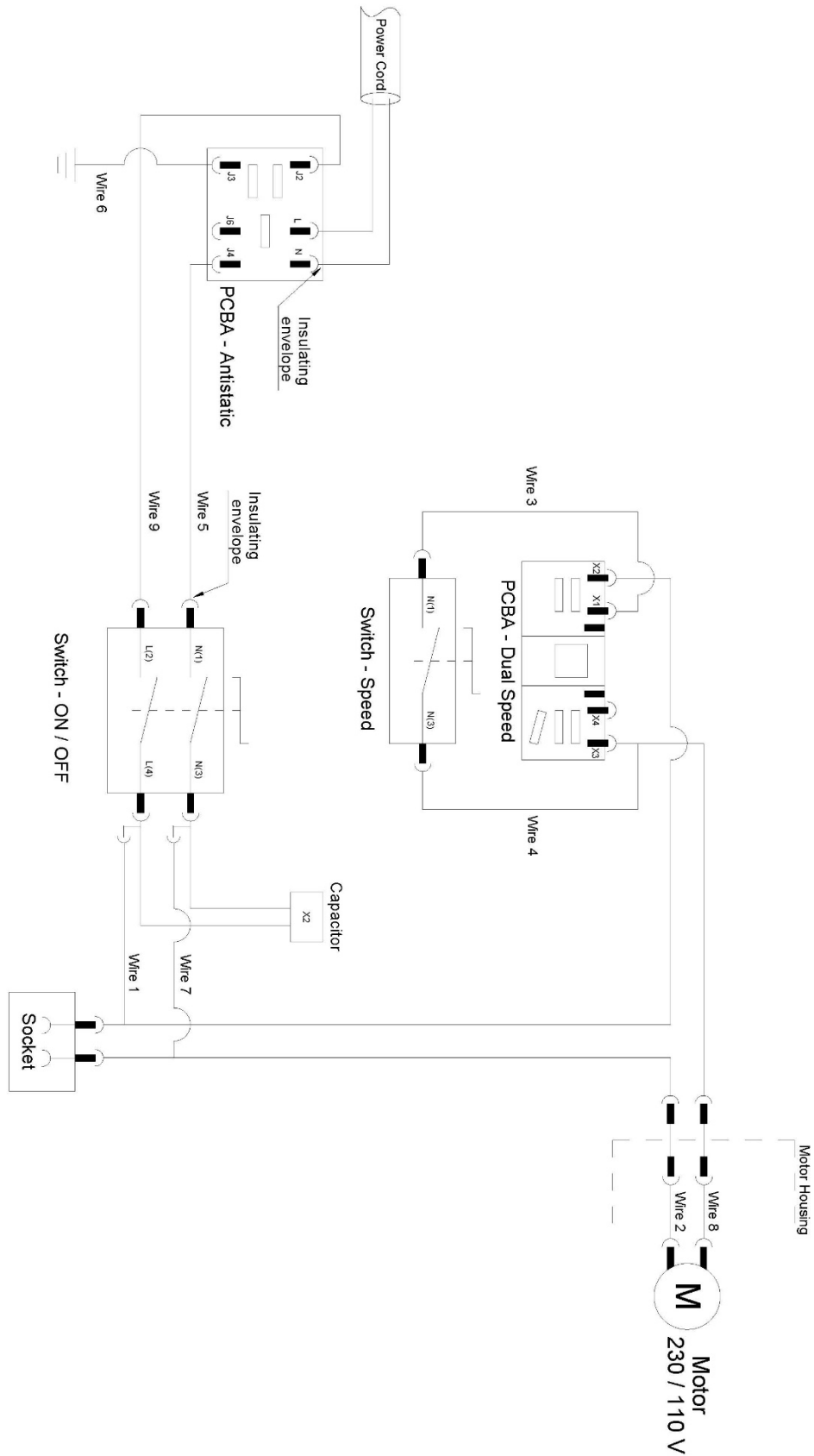
| No. | Part No. | Qty. | Description | Part Note |
|-----|--------------|------|----------------------------------|-----------|
| 1 | 140 2782 500 | 1 | HOSE CPL. DIAM.32 MM L 1.9M | Accessory |
| 2 | 011 6431 500 | 2 | EXTENSION TUBE ALUMINIUM 500MM | Accessory |
| 3 | 011 8130 500 | 1 | TELESCOPIC TUBE, AL | Accessory |
| 4 | 107420630 | 1 | FLEECE DUST BAG 5 PCS | Accessory |
| 5 | 011 3104 500 | 1 | COMBI NOZZLE RD295P W. PARK.CLIP | Accessory |
| 6 | 140 6700 540 | 1 | MULTI SURFACE NOZZLE W. PARK.CL | Accessory |
| 7 | 011 3104 500 | 1 | SMALL COMBI NOZZLE | Accessory |
| 8 | 010 3098 500 | 1 | CREVICE NOZZLE | Accessory |
| [] | 107420630 | 5 | Fleece Dust Bags | Accessory |
| [] | 107420784 | 10 | Fleece Dust Bags | Accessory |
| [] | 107420860 | 1 | Maintenance Kits Light | Accessory |
| [] | 107420862 | 1 | Maintenance Kits Plus | Accessory |

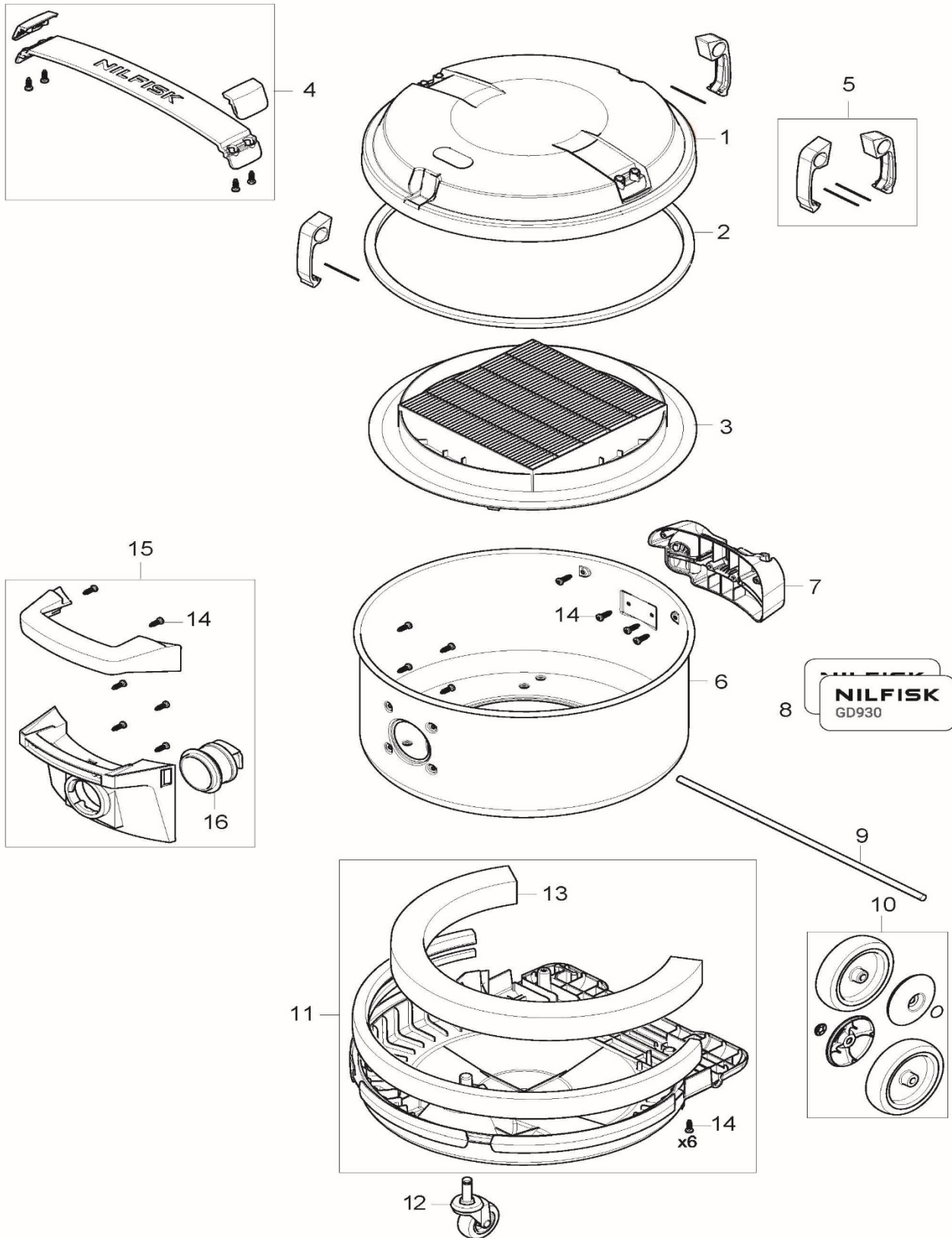
[] = Not shown

VP 930 PRO – Wiring Diagram

107420663_PRO HEPA S2 EU, 107420771_PRO HEPA S2 UK, 107420659_PRO HEPA HF EU

2023.11.17



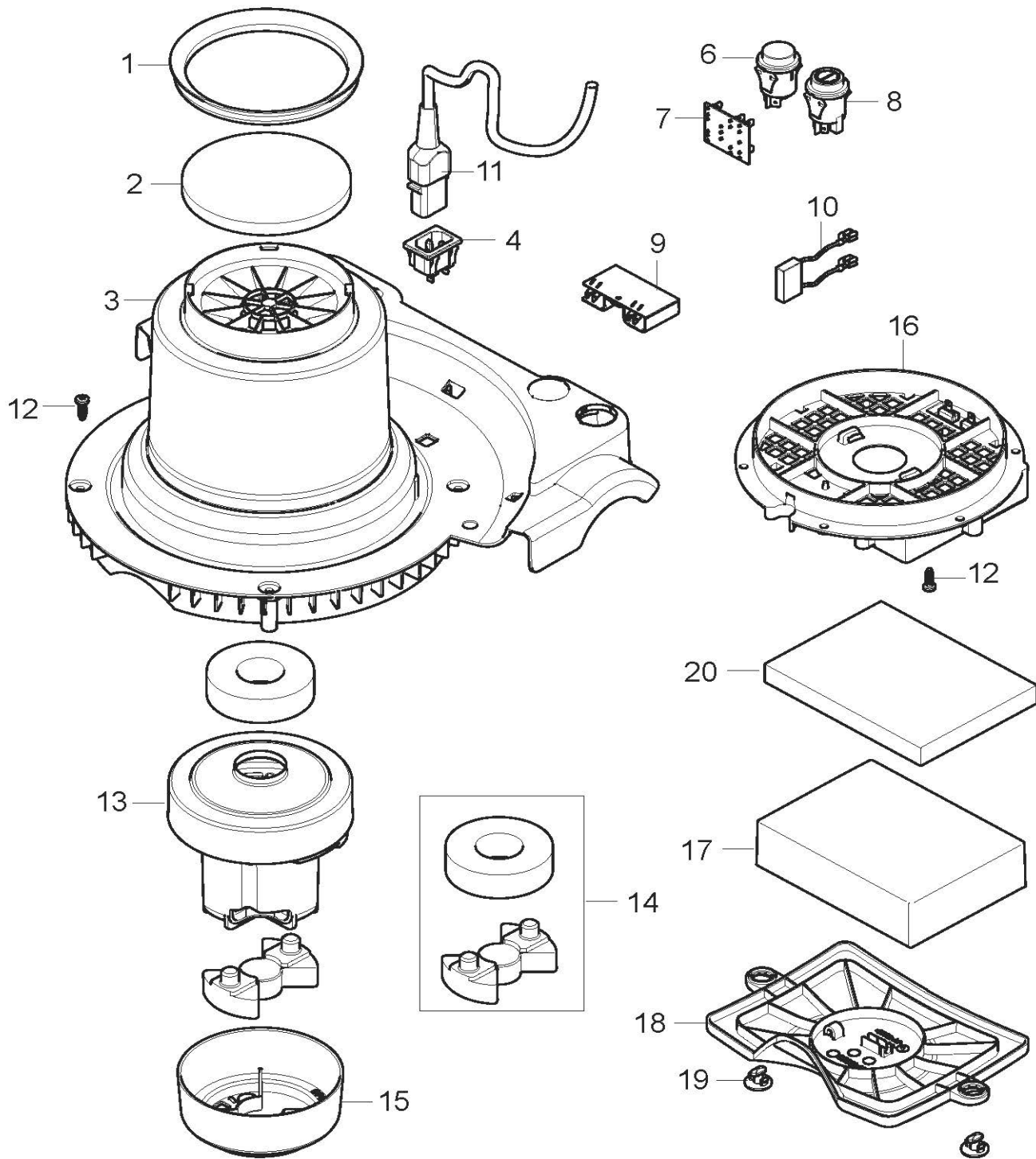


VP 930 PRO – Top and Container

107420627_ECO PRO HEPA EU

2023.11.17

| No. | Part No. | Qty. | Description | Part Note |
|-----|--------------|------|------------------------------|------------|
| 1 | 107420867 | 1 | LID BLACK | Spare Part |
| 2 | 140 0061 030 | 1 | GASKET | Spare Part |
| 3 | 140 2666 010 | 1 | HEPA FILTER | Spare Part |
| 4 | 107420877 | 1 | BELT BLACK KIT | Spare Part |
| 5 | 107420874 | 1 | LATCHES KIT | Spare Part |
| 6 | 107420889 | 1 | VP930 Pro CONTAINER CHROMED | Spare Part |
| 7 | 107420870 | 1 | SUPPORT BLACK | Spare Part |
| 8 | 107420890 | 1 | DECAL NILFISK VP930 PRO HEPA | Spare Part |
| 9 | 140 5059 000 | 1 | SHAFT L 369MM DIAM. 8MM | Spare Part |
| 10 | 140 5055 500 | 1 | WHEEL REAR 2-P 930-SERIES | Spare Part |
| 11 | 107418905 | 1 | BOTTOM PLATE KIT VP930 BLACK | Spare Part |
| 12 | 140 7025 500 | 1 | WHEEL FRONT 1-P | Spare Part |
| 13 | 140 7022 500 | 1 | MUFFLER STRIP | Spare Part |
| 14 | 140 9214 070 | 10 | SCREW PTK 50X14 | Spare Part |
| 15 | 140 7800 500 | 1 | HANDLE KIT | Spare Part |
| 16 | 140 7013 000 | 1 | INLET | Spare Part |

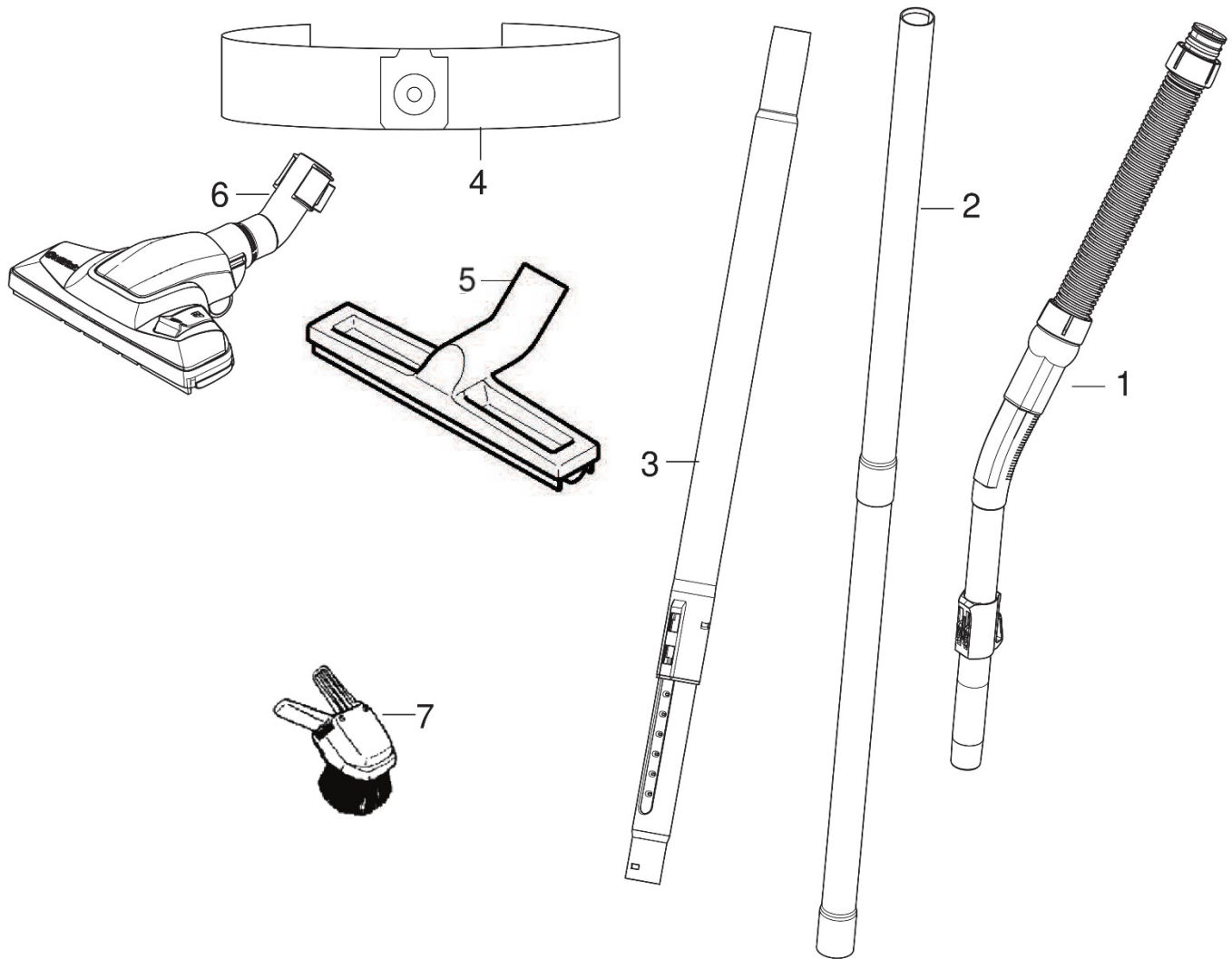


VP 930 PRO – Motor and Electric

107420627_ECO PRO HEPA EU

2023.11.17

| No. | Part No. | Qty. | Description | Part Note |
|-----|--------------|------|--------------------------------|------------|
| 1 | 107418901 | 1 | GASKET FILTER SEAL | Spare Part |
| 2 | 140 1535 510 | 1 | MOTOR FILTER | Spare Part |
| 3 | 107420895 | 1 | VP930 PRO STAND SD | Spare Part |
| 4 | 107420897 | 1 | POWER INLET c14 | Spare Part |
| 7 | 140 7024 500 | 1 | BOARD ANTI STATIC | Spare Part |
| 8 | 107408927 | 1 | SWITCH ON/OFF 930-SERIES | Spare Part |
| 10 | 140 8166 010 | 1 | CAPACITOR | Spare Part |
| 11 | 107402901 | 1 | DETACH CORD SET 15M ORANGE EU | Spare Part |
| 12 | 140 9214 070 | 1 | SCREW PTK 50X14 | Spare Part |
| 13 | 107418907 | 1 | Fan Unit 220-240V 450W | Spare Part |
| 14 | 107418908 | 1 | MOTOR SUPPORT | Spare Part |
| 15 | 107418909 | 1 | ADAPTER F. TURBINE VP930 | Spare Part |
| 16 | 107418911 | 1 | FILTER HOLDER W. INSERTS VP930 | Spare Part |
| 17 | 107420708 | 1 | FOAM EXHAUST VP930 | Spare Part |
| 18 | 107418913 | 1 | LID F. BOTTOM VP930 BLACK | Spare Part |
| 19 | 107413069 | 2 | Q TURN | Spare Part |



VP 930 PRO – Accessories

107420627_ECO PRO HEPA EU

2023.11.17

| No. | Part No. | Qty. | Description | Part Note |
|-----|--------------|------|----------------------------------|-------------|
| 1 | 140 2782 500 | 1 | HOSE CPL. DIAM.32 MM L 1.9M | Accessories |
| 2 | 011 6431 500 | 2 | EXTENSION TUBE ALUMINIUM 500MM | Accessories |
| 3 | 011 8130 500 | 1 | TELESCOPIC TUBE, AL | Accessories |
| 4 | 107420630 | 1 | FLEECE DUST BAG 5 PCS | Accessories |
| 5 | 107418630 | 1 | COMBI NOZZLE RD295P W. PARK.CLIP | Accessories |
| 6 | 140 6700 540 | 1 | MULTI SURFACE NOZZLE W. PARK.CL | Accessories |
| 7 | 011 3104 500 | 1 | SMALL COMBI NOZZLE | Accessories |
| [] | 107420630 | 5 | Fleece Dust Bags | Accessory |
| [] | 107420784 | 10 | Fleece Dust Bags | Accessory |
| [] | 107420860 | 1 | Maintenance Kits Light | Accessory |
| [] | 107420862 | 1 | Maintenance Kits Plus | Accessory |

[] = Not shown

